

TOSHIBA Photocoupler Photorelay

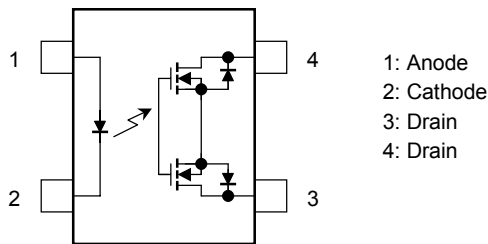
# TLP172A

Telecommunications  
 Control Equipment  
 Data Acquisition System  
 Security Equipment  
 Measurement Equipment

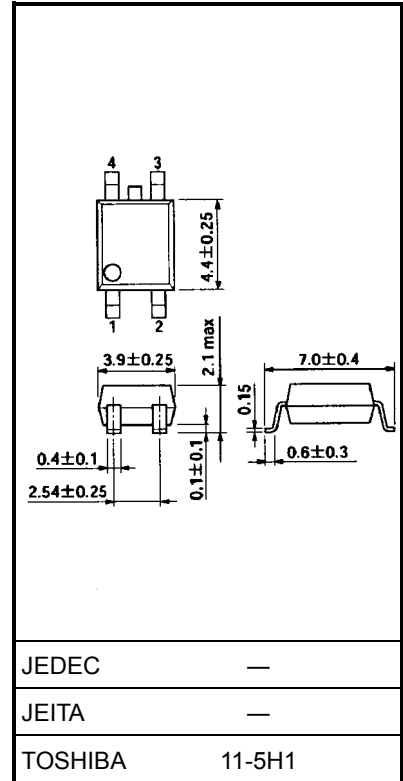
The Toshiba TLP172A consists of a gallium arsenide infrared emitting diode optically coupled to a photo-MOSFET in a 4-pin SOP package. This photorelay has higher output current rating than phototransistor-type photocoupler; hence, it is suitable for use as On/Off control for high current.

- 4-pin SOP (2.54SOP4): Height = 2.1 mm, pitch = 2.54 mm
- Normally open (1-form-A) device
- Peak off-state voltage: 60 V (min)
- Trigger LED current: 3 mA (max)
- On-state current: 400 mA (max)
- On-state resistance: 2 Ω (max)
- Isolation voltage: 1500 Vrms (min)
- UL recognized: UL1557, File No.E67349

### Pin Configuration (top view)



Unit: mm



Weight: 0.1 g (typ.)

## Maximum Rating (Ta = 25°C)

| Characteristics                                       |                                      | Symbol                         | Rating     | Unit  |
|---|--------------------------------------|--------------------------------|------------|-------|
| LED   | Forward current                      | $I_F$                          | 50         | mA    |
|   | Forward current derating (Ta ≥ 25°C) | $\Delta I_F/^\circ\text{C}$    | -0.5       | mA/°C |
|   | Reverse voltage                      | $V_R$                          | 5          | V     |
|   | Junction temperature                 | $T_j$                          | 125        | °C    |
| Detector  | Off-state output terminal voltage    | $V_{OFF}$                      | 60         | V     |
|   | On-state current                     | $I_{ON}$                       | 400        | mA    |
|   | Forward current derating (Ta ≥ 25°C) | $\Delta I_{ON}/^\circ\text{C}$ | -4.0       | mA/°C |
|   | Junction temperature                 | $T_j$                          | 125        | °C    |
| Storage temperature                                   |                                      | $T_{stg}$                      | -55 to 125 | °C    |
| Operating temperature                                 |                                      | $T_{opr}$                      | -40 to 85  | °C    |
| Lead soldering temperature (10 s)                     |                                      | $T_{sol}$                      | 260        | °C    |
| Isolation voltage (AC, 1 min, R.H. ≤ 60%)<br>(Note 1) |                                      | $BV_S$                         | 1500       | Vrms  |

Note 1: LED pins are shorted together. Detector pins are also shorted together.

## Recommended Operating Conditions

| Characteristics       | Symbol    | Min | Typ. | Max | Unit |
|-----------------------|-----------|-----|------|-----|------|
| Supply voltage        | $V_{DD}$  | —   | —    | 48  | V    |
| Forward current       | $I_F$     | 5   | 7.5  | 25  | mA   |
| On-state current      | $I_{ON}$  | —   | —    | 400 | mA   |
| Operating temperature | $T_{opr}$ | -20 | —    | 65  | °C   |

## Electrical Characteristics (Ta = 25°C)

| Characteristics |                   | Symbol    | Test Condition             | Min | Typ. | Max | Unit |
|-----------------|-------------------|-----------|----------------------------|-----|------|-----|------|
| LED             | Forward voltage   | $V_F$     | $I_F = 10 \text{ mA}$      | 1.0 | 1.15 | 1.3 | V    |
|                 | Reverse current   | $I_R$     | $V_R = 5 \text{ V}$        | —   | —    | 10  | μA   |
|                 | Capacitance       | $C_T$     | $V = 0, f = 1 \text{ MHz}$ | —   | 30   | —   | pF   |
| Detector        | Off-state current | $I_{OFF}$ | $V_{OFF} = 60 \text{ V}$   | —   | —    | 1   | μA   |
|                 | Capacitance       | $C_{OFF}$ | $V = 0, f = 1 \text{ MHz}$ | —   | 130  | —   | pF   |

## Coupled Electrical Characteristics (Ta = 25°C)

| Characteristics     | Symbol   | Test Condition                                | Min | Typ. | Max | Unit |
|---------------------|----------|---|-----|------|-----|------|
| Trigger LED current | $I_{FT}$ | $I_{ON} = 400 \text{ mA}$                     | —   | 1.6  | 3   | mA   |
| Return LED current  | $I_{FC}$ | $I_{OFF} = 100 \text{ μA}$                    | 0.1 | —    | —   | mA   |
| On-state resistance | $R_{ON}$ | $I_{ON} = 400 \text{ mA}, I_F = 5 \text{ mA}$ | —   | 1    | 2   | Ω    |

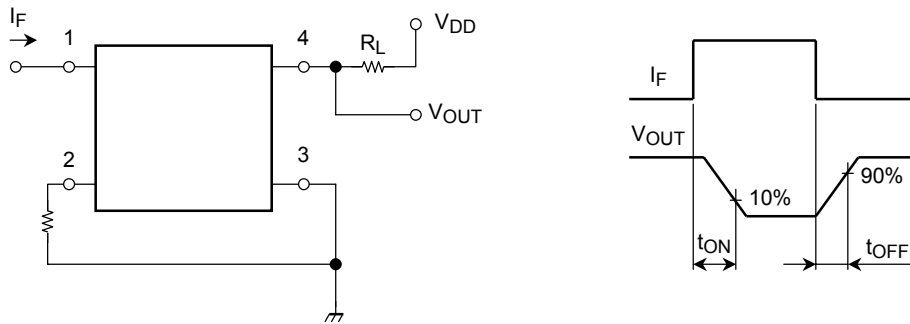
## Isolation Characteristics (Ta = 25°C)

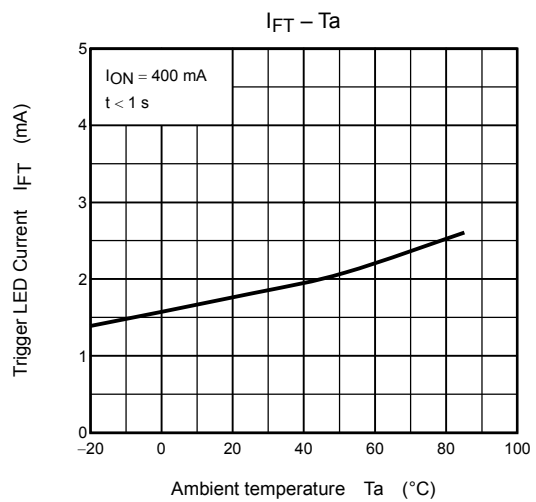
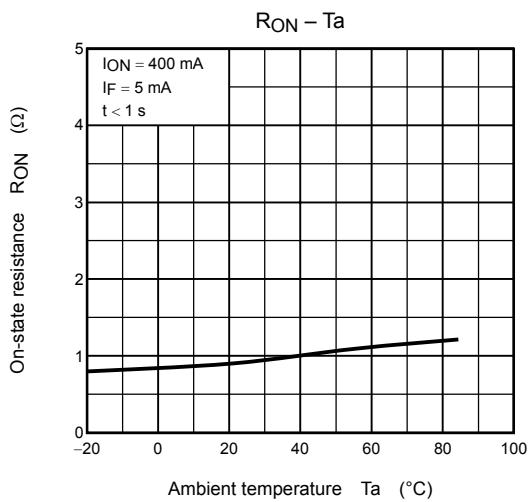
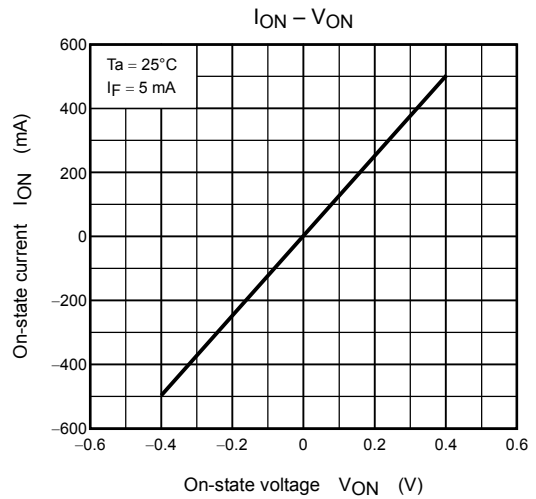
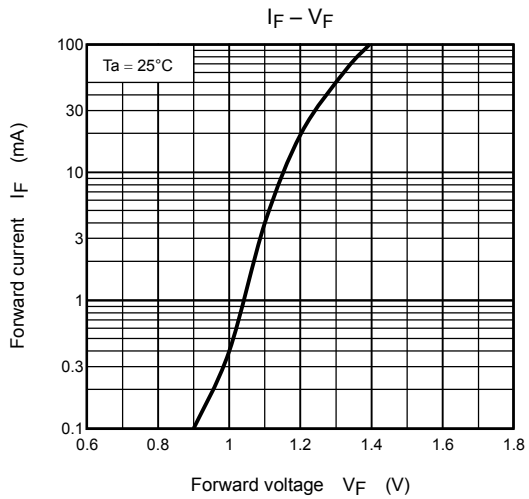
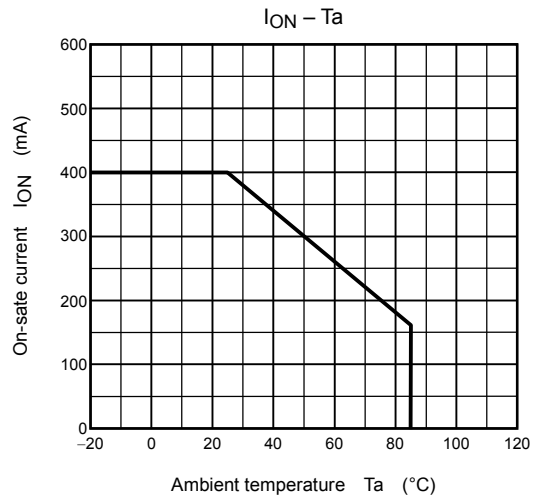
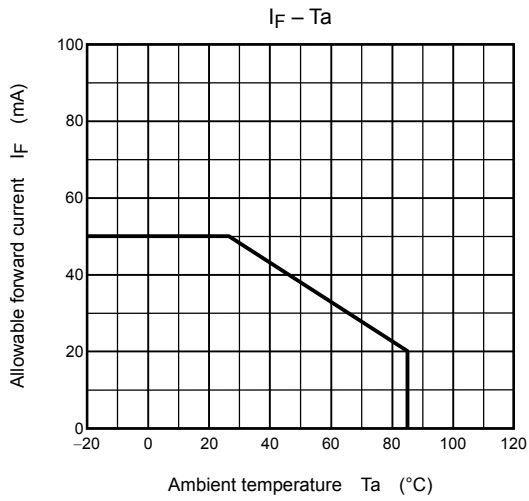
| Characteristics             | Symbol          | Test Condition                     | Min                  | Typ.             | Max | Unit |
|-----------------------------|-----------------|------------------------------------|----------------------|------------------|-----|------|
| Capacitance input to output | C <sub>S</sub>  | V <sub>S</sub> = 0 V, f = 1 MHz    | —                    | 0.8              | —   | pF   |
| Isolation resistance        | R <sub>S</sub>  | V <sub>S</sub> = 500 V, R.H. ≤ 60% | 5 × 10 <sup>10</sup> | 10 <sup>14</sup> | —   | Ω    |
| Isolation voltage           | BV <sub>S</sub> | AC, 1 min                          | 1500                 | —                | —   | Vrms |
|                             |                 | AC, 1 s, in oil                    | —                    | 3000             | —   |      |
|                             |                 | DC, 1 min, in oil                  | —                    | 3000             | —   | Vdc  |

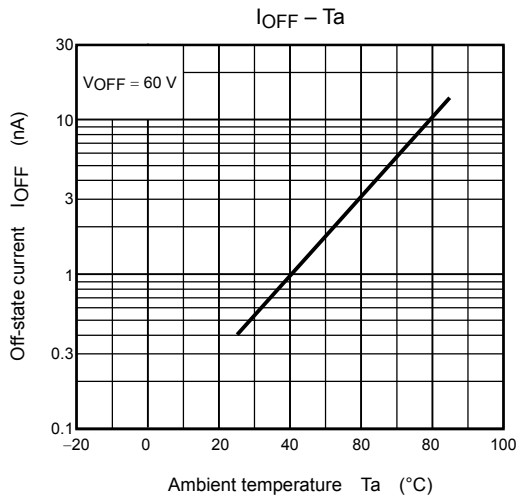
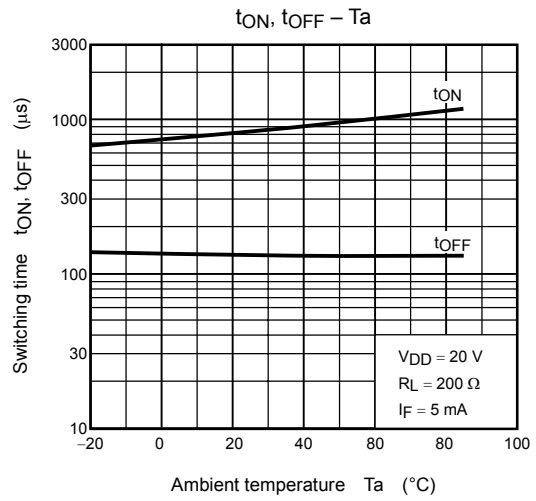
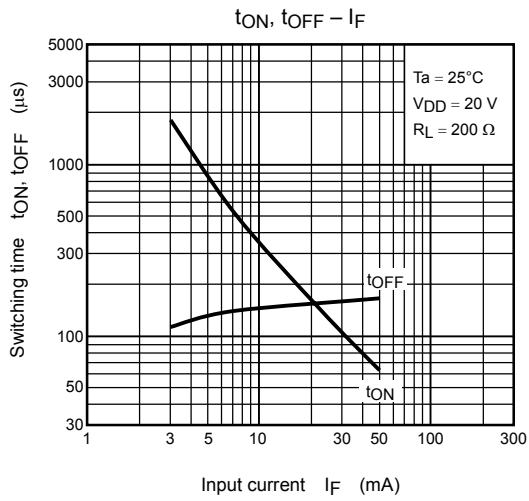
## Switching Characteristics (Ta = 25°C)

| Characteristics | Symbol           | Test Condition                                | Min | Typ. | Max | Unit |
|-----------------|------------------|---|-----|------|-----|------|
| Turn-on time    | t <sub>ON</sub>  | R <sub>L</sub> = 200 Ω (注 2)                  | —   | 0.8  | 2   | ms   |
| Turn-off time   | t <sub>OFF</sub> | V <sub>DD</sub> = 20 V, I <sub>F</sub> = 5 mA | —   | 0.1  | 0.5 |      |

Note 2: Switching time test circuit







**RESTRICTIONS ON PRODUCT USE**

000707EAC

- TOSHIBA is continually working to improve the quality and reliability of its products. Nevertheless, semiconductor devices in general can malfunction or fail due to their inherent electrical sensitivity and vulnerability to physical stress. It is the responsibility of the buyer, when utilizing TOSHIBA products, to comply with the standards of safety in making a safe design for the entire system, and to avoid situations in which a malfunction or failure of such TOSHIBA products could cause loss of human life, bodily injury or damage to property.  
In developing your designs, please ensure that TOSHIBA products are used within specified operating ranges as set forth in the most recent TOSHIBA products specifications. Also, please keep in mind the precautions and conditions set forth in the "Handling Guide for Semiconductor Devices," or "TOSHIBA Semiconductor Reliability Handbook" etc..
- The TOSHIBA products listed in this document are intended for usage in general electronics applications (computer, personal equipment, office equipment, measuring equipment, industrial robotics, domestic appliances, etc.). These TOSHIBA products are neither intended nor warranted for usage in equipment that requires extraordinarily high quality and/or reliability or a malfunction or failure of which may cause loss of human life or bodily injury ("Unintended Usage"). Unintended Usage include atomic energy control instruments, airplane or spaceship instruments, transportation instruments, traffic signal instruments, combustion control instruments, medical instruments, all types of safety devices, etc.. Unintended Usage of TOSHIBA products listed in this document shall be made at the customer's own risk.
- Gallium arsenide (GaAs) is a substance used in the products described in this document. GaAs dust and fumes are toxic. Do not break, cut or pulverize the product, or use chemicals to dissolve them. When disposing of the products, follow the appropriate regulations. Do not dispose of the products with other industrial waste or with domestic garbage.
- The information contained herein is presented only as a guide for the applications of our products. No responsibility is assumed by TOSHIBA CORPORATION for any infringements of intellectual property or other rights of the third parties which may result from its use. No license is granted by implication or otherwise under any intellectual property or other rights of TOSHIBA CORPORATION or others.
- The information contained herein is subject to change without notice.